

RVH8218

TOPMOUNT WORKSTATION SINK

MATERIAL

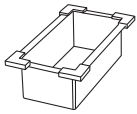
True 16 Gauge Thickness
Premium T304 Grade Stainless Steel
18/10 Chromium/Nickel Content
Commercial Brushed Finish

FEATURES

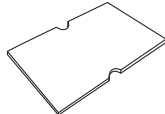
- Heavy duty sound guard padding and undercoating
- Slanted bottom with elegant drain grooves for easy draining
- Single-Tier Ledge for Accessories



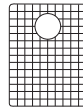
IN THE BOX



Colander
[RVA1310]



Cutting Board
[RVA1228]



Rinse Grid
[RVA68218]



Basket Strainer
[RVA1025]



Mounting Clips
[RVA11042]



Cut-out
Template

NOMINAL DIMENSIONS

Exterior: 18" (wide) x 20" (front-to-back)
Interior Bowl: 16" (wide) x 14-5/8" (front-to-back)
Bowl Depth: 10"
Minimum Cabinet Size: 21" wide
Drain Hole Size: 3-1/2"

Installation Type:
Topmount
Inside Corners:
Zero Radius
Drain Location:
Rear Center

OPTIONAL ACCESSORIES (SOLD SEPARATELY)

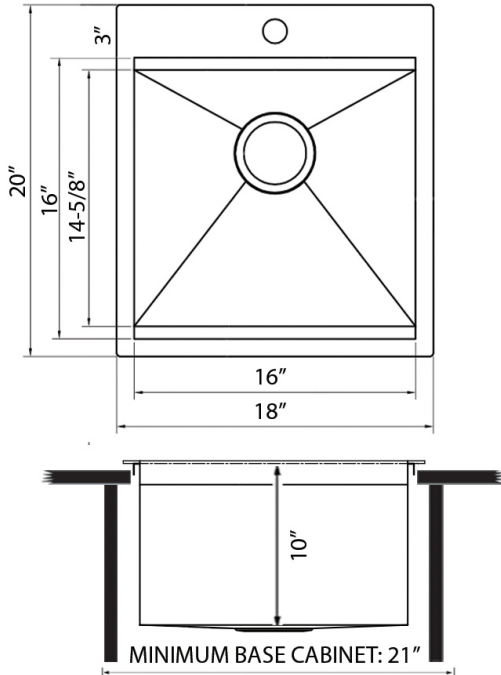


Deep Basket
Disposal Flange
[RVA1049ST]



Drain Cover
[RVA1035]

DIMENSIONS



Register your product at www.ruvati.com/register.